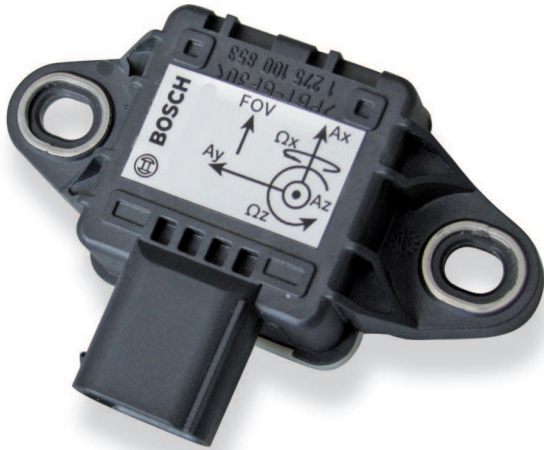


Acceleration Sensor MM5.10



- ▶ Application 1: $\pm 163^\circ/\text{s}$ (roll rate/ yaw rate)
- ▶ Application 2: $\pm 4.2 \text{ g}$ (X, Y and Z acceleration)
- ▶ Weight w/o wire: 35 g
- ▶ Size: 80 x 56 x 21 mm
- ▶ Power supply: 7 to 18 V

The MM5.10 was designed to measure the physical effects of rotational and linear acceleration. In order to achieve this, the sensor includes MEMS measuring elements connected to an appropriate integrated circuit.

A rotational acceleration around the integrated sensing elements generates a Coriolis force which changes the internal capacity of the micro machined sensing parts. Furthermore, a pure surface micro machined element is used to measure the vehicle linear acceleration in all 3 axis. This combination of rotational and linear acceleration sensors enables a precise measurement of the vehicle dynamics. The main feature and benefit of this sensor is the combination of 3 linear and 2 rotational accelerometers and its high speed 1 Mbaud CAN-signal output.

Application

Application I	$\pm 163^\circ/\text{s}$ (roll rate/yaw rate)
Application II	$\pm 4.2 \text{ g}$ (X, Y and Z acceleration)
Operating temperature range	-20 to 85°C

Technical Specifications

Mechanical Data

Weight w/o wire	35 g
Size	80 x 56 x 21 mm

Electrical Data

Power supply	7 to 18 V
Max input current	90 mA
CAN speed	1 Mbaud or 500 kbaud

CAN Message

CAN ID 01 0x174

Byte	Value
0	Yaw rate
1	
2	Reserved
3	
4	Acc Y-axis
5	
6	Reserved
7	Unused

CAN ID 02 0x178

Byte	Value
0	Roll rate
1	
2	Reserved
3	
4	Acc X-axis
5	
6	Reserved
7	Unused

CAN ID 03 0x17C

Byte	Value
0	Reserved
1	
2	Reserved
3	
4	Acc Z-axis

5	
6	Reserved
7	Unused

Characteristic

Characteristic Application I

Measuring range	$\pm 160^\circ/\text{s}$
Over range limit	$\pm 1,000^\circ/\text{s}$
Absolute physical resolution	$0.1^\circ/\text{s}$
Cut-off frequency (-3 dB)	15 Hz; 30 Hz; 60 Hz

Characteristic Application II

Measuring range	$\pm 4.2 \text{ g}$
Over range limit	$\pm 10 \text{ g}$
Absolute physical resolution	0.01 g
Cut-off frequency (-3 dB)	15 Hz; 30 Hz; 60 Hz

Connectors and Wires

Connector (1)	AMP 114-18063-076
Mating connector (1)	F02U.B00.435-01
Pin 1	Gnd
Pin 2	CANL
Pin 3	CANH
Pin 4	UBat
Wire with open end (2)	
Red wire	UBat
Black wire	Gnd
White wire	CANH
Blue wire	CANL
Connector (3)	ASL606-05PC-HE
Mating connector (3)	ASL006-05SC-HE
Pin 1	UBat
Pin 2	Gnd
Pin 3	CANH
Pin 4	CANL
Pin 5	Not connected
Sleeve	DR-25
Wire size with open end (2)	4 x AWG24
Wire length L	15 to 100 cm

CAN Parameters

Byte order	LSB (Intel)
CAN speed	1 Mbaud or 500 kbaud
Bit mask	unsigned
Offset (all signals)	0x8000 hex
Quantization Yaw Rate	$0.005 [^\circ/\text{s}/\text{digit}]$
Quantization Roll Rate	$0.005 [^\circ/\text{s}/\text{digit}]$

Quantization Acc X-axis	0.0001274 [g/digit]
Quantization Acc Y-axis	0.0001274 [g/digit]
Quantization Acc Z-axis	0.0001274 [g/digit]

Installation Notes

Mounting position: Connector opposite to driving direction.

The MM5.10 can be connected directly to most control units and data logging systems.

Please avoid abrupt temperature changes.

For mounting please use only the integrated fixing holes.

Please ensure that the environmental conditions do not exceed the sensor specifications.

Please find further application hints in the offer drawing at our homepage and calibration sheet.

Please deliver the calibration sheet with your order placement.

Please note:

CAN ID 0x0170 (Rx) or 0x75 (Rx) is used for synchronization and configuration of the sensor (SYNC). Make sure that the CAN ID 0x170 (Rx) or 0x75 (Rx) is not used in your CAN network by any other device.

Safety Note

The sensor is not intended to be used for safety related applications without appropriate measures for signal validation in the application system.

Legal Restrictions

Due to embargo restrictions, sale of this product in Russia, Belarus, Iran, Syria, and North Korea is prohibited.

Ordering Information

Acceleration Sensor MM5.10

Without wire (1)

Order number **F02U.V01.511-02**

Acceleration Sensor MM5.10

Wire with open end (2)

Order number **F02U.V01.511-92**

Acceleration Sensor MM5.10

Wire with motorsport connector (3)

Order number **F02U.V01.512-03**

Acceleration Sensor MM5.10 (500 kbaud)

Without wire (1), required for system combination with ECU MS 6 or MS 7

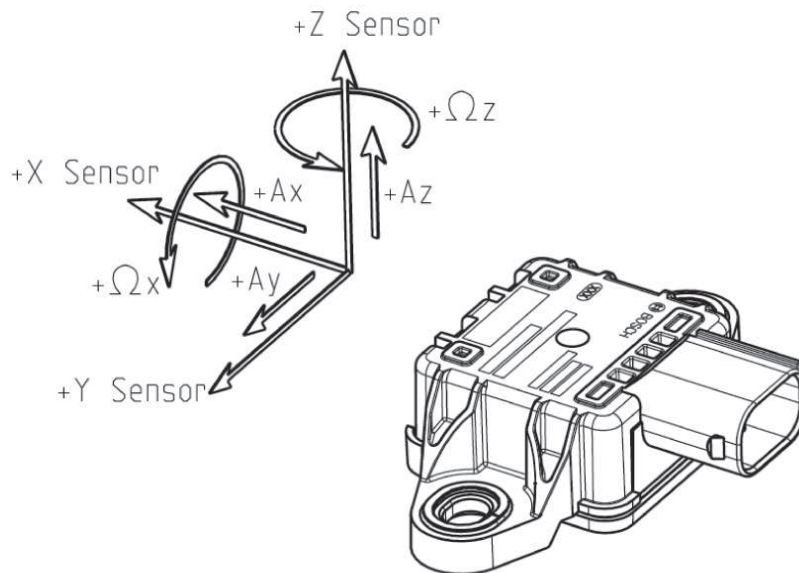
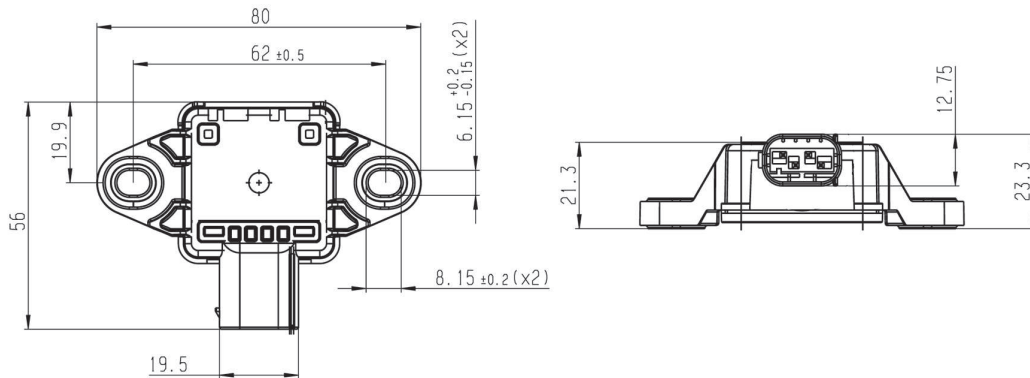
Order number **F02U.V02.589-01**

Acceleration Sensor MM5.10 (1 Mbaud)

Without wire (1), required for system combination with ECU MS 6 or MS 7

Order number **F02U.V02.590-01**

Dimensions



Axis Scheme

Represented by:

Europe:
 Bosch Engineering GmbH
 Motorsport
 Robert-Bosch-Allee 1
 74232 Abstatt
 Germany
 Tel.: +49 7062 911 9101
 Fax: +49 7062 911 79104
 motorsport@bosch.com
 www.bosch-motorsport.de

North America:
 Bosch Engineering North America
 Motorsport
 38000 Hills Tech Drive
 Farmington Hills, MI 48331-3417
 United States of America
 Tel.: +1 248 876 2977
 Fax: +1 248 876 7373
 motorsport@bosch.com
 www.bosch-motorsport.com

Asia-Pacific:
 Bosch Engineering Japan K.K.
 Motorsports Department
 1-9-32 Nakagawa Chuo, Tsuzuki-ku
 Yokohama City
 Kanagawa Prefecture 224-8601
 Japan
 Tel.: +81 45 605 3032
 Fax: +81 45 605 3059
 www.bosch-motorsport.jp

Australia, New Zealand and South Africa:
 Robert Bosch Pty. Ltd
 Motorsport
 1555 Centre Road
 Clayton, Victoria, 3168
 Australia
 Tel.: +61 (3) 9541 3901
 motor.sport@au.bosch.com